



Inclined Plate Clarifiers

LP & LP-Q MODELS

- Lower installed cost
- Easily installed indoors
- Minimal start-up/restart time
- Lower maintenance costs
- Occupies less floor space
- Minimal field labor required to install



The Hydro Quip Inclined Plate Clarifiers are designed and manufactured to provide for the precipitation and separation of suspended solids. Our design employs the use of a series of plates inclined at an angle of 45° or 55°. This specialized design allows the unit to perform all of the functions of a conventional solids contact clarifier at a fraction of the space and cost.

LP Model: separation of suspended solids from water

LP-Q Model: separation of suspended solids and trace amounts of oil in water

INLET COMPARTMENT

The inlet compartment receives the raw water from the process. After entering through the non-clogging inlet nozzle, the water in the LP model is dispersed evenly through the chamber.

In the LP-Q model, the water enters the quiescent zone. This area disperses the energy and evenly distributes the flow. A skimmer is provided to decant the oil to a separate tank.

SEPARATION CHAMBER

The raw water from the inlet chamber passes down under the plate pack skirt and moves upwards toward the plate pack. As the water moves upwards, the suspended particles have their upward velocity interrupted by the inclined plates. These particles drop down and slide down the inclined plate and join larger previously settled particles in the sludge hopper. Individual plates are easily installed and removed.

SLUDGE CHAMBER

The sludge chamber collects the solids as they fall. The sludge hopper is sloped at a minimum 45° angle to concentrate the sludge and avoid bridging.

CLEAN WATER CHAMBER

The clarified water exits the top of the plates and flows into the effluent trough. From this point the clarified effluent flows by gravity and exits the unit through the effluent nozzle.

PERFORMANCE

- Excellent separation of suspended solids
- Up to 1200 sq ft of projected plate surface area
- Effective separation of hard to settle solids
- Ability to produce up to 3% – 5% concentrated sludge

TECHNICAL FEATURES

- Individual removable polypropylene or stainless steel plates
- Stainless steel or coated carbon steel tanks

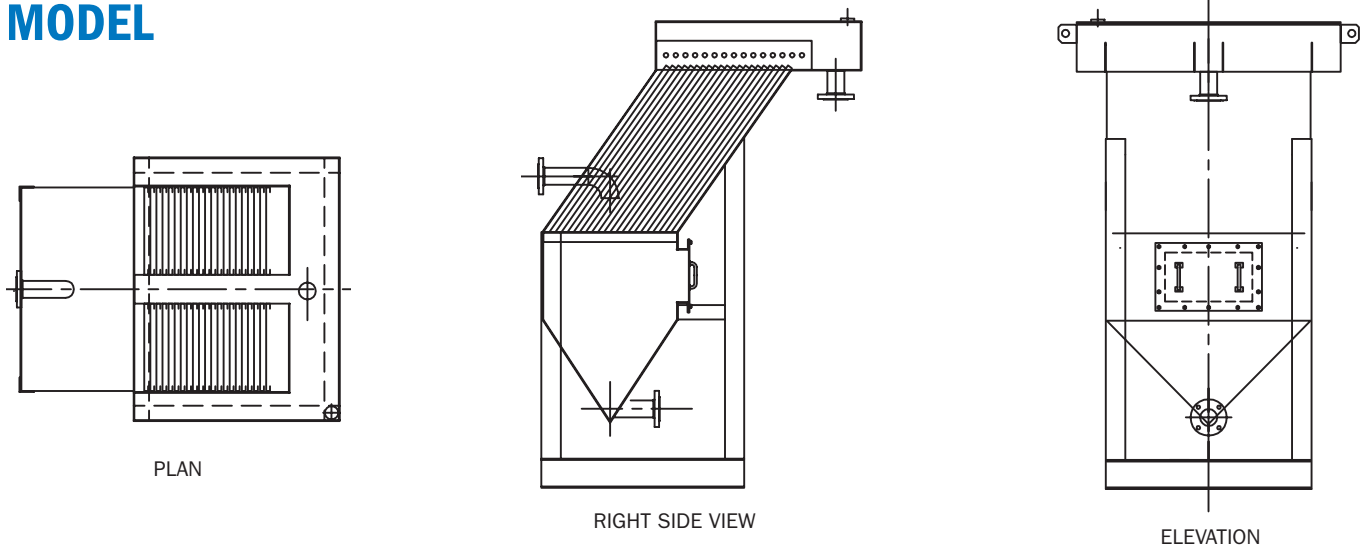
- Complete shop assembly
- Adjustable effluent weir
- Oil skimming connections
- Inspection hatch/ window
- Sample ports

OPTIONAL EQUIPMENT/ FEATURES

The inclined plate clarifier is available with a number of different options such as:

- Access Platform and Ladder (or Stairs)
- Cover
- Flash Mixer Chamber with Mixer
- Flocculation Tank with Slow Speed Mixer
- Instrumentation / Controls
- Chemical Feed Equipment
- Sludge Handling and Dewatering
- Concrete Tank Designs

LP MODEL



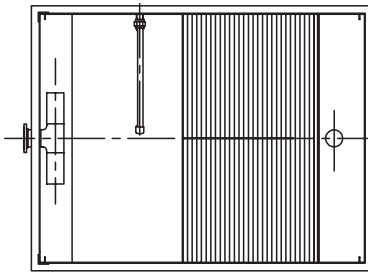
SPECIFICATIONS

*Dimensions are approximate and may vary depending on your application.

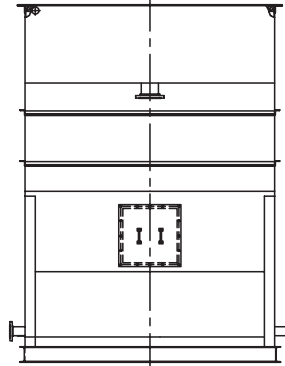
** Flow rates are based on 0.25 GPM per square foot of projected plate surface area.

LP Model	Number of Plates	Length	Width	Height	Flow Rate (GPM)
HQI-CLA-20LP	11	3'-0"	2'-8"	5'-0"	5
HQI-CLA-40LP	18	3'-10"	3'-0"	5'-4"	10
HQI-CLA-60LP	18	3'-10"	4'-0"	5'-9"	15
HQI-CLA-84LP	19	5'-6"	4'-6"	7'-7"	20
HQI-CLA-125LP	21	5'-6"	4'-6"	8'-0"	32
HQI-CLA-200LP	29	6'-8"	4'-6"	9'-0"	50
HQI-CLA-266LP	29	7'-0"	5'-6"	9'-4"	65
HQI-CLA-333LP	39	7'-8"	5'-6"	9'-4"	83
HQI-CLA-400LP	44	8'-6"	5'-6"	9'-4"	100
HQI-CLA-500LP	44	8'-6"	6'-6"	9'-4"	125
HQI-CLA-600LP	42	9'-0"	6'-6"	10'-10"	150
HQI-CLA-700LP	39	8'-10"	7'-6"	12'-0"	175
HQI-CLA-800LP	45	9'-4"	7'-6"	12'-0"	200
HQI-CLA-1000LP	50	10'-8"	7'-6"	13'-0"	250
HQI-CLA-1200LP	59	11'-6"	8'-6"	13'-6"	300

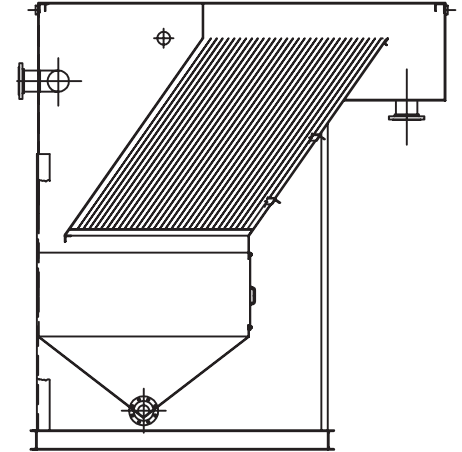
LP-Q MODEL



PLAN



RIGHT SIDE VIEW



ELEVATION

SPECIFICATIONS

*Dimensions are approximate and may vary depending on your application.

** Flow rates are based on 0.25 GPM per square foot of projected plate surface area.

LP-Q Model	Number of Plates	Length	Width	Height	Flow Rate (GPM)
HQI-CLA-20LP-Q	16	5' 0"	2' 4"	6' 0"	5
HQI-CLA-40LP-Q	16	5' 0"	3' 4"	6' 0"	10
HQI-CLA-60LP-Q	16	5' 0"	3' 6"	6' 0"	15
HQI-CLA-84LP-Q	17	6' 0"	3' 6"	7' 0"	20
HQI-CLA-125LP-Q	25	7' 0"	3' 6"	7' 0"	32
HQI-CLA-200LP-Q	29	7' 0"	3' 6"	8' 0"	50
HQI-CLA-266LP-Q	29	7' 0"	4' 6"	8' 0"	65
HQI-CLA-333LP-Q	29	7' 0"	5' 6"	8' 0"	83
HQI-CLA-400LP-Q	28	7' 0"	5' 6"	10' 0"	100
HQI-CLA-500LP-Q	29	7' 0"	6' 6"	10' 0"	125
HQI-CLA-600LP-Q	29	7' 0"	6' 6"	11' 6"	150
HQI-CLA-700LP-Q	29	7' 0"	7' 6"	11' 6"	175
HQI-CLA-800LP-Q	29	7' 0"	8' 6"	11' 6"	200
HQI-CLA-1000LP-Q	32	10' 6"	8' 6"	13' 6"	250
HQI-CLA-1200LP-Q	38	12' 2"	8' 6"	13' 6"	300



Whether an off-the-shelf unit or customized equipment, we'll help you determine the best solution for your application and site-specific needs.

TEL: 508-399-5771

FAX: 508-399-5352

108 Pond St, Seekonk, MA 02703

hqisales@hydroquipinc.com

www.hydroquipinc.com