



UNIPACK-Plus Corrugated Coalescing Media

- Non-plugging with little to no maintenance
- Enhances the separation of oil and high concentration of solids
- Available in PVC, Polycarbonate, Stainless Steel and FRP
- Aluminum frame for easy handling
- Available in various spacing sizes ($\frac{1}{2}$ ", $\frac{3}{4}$ ", 1" and $1\frac{1}{2}$ " spacing)



Hydro Quip's UNIPACK-Plus coalescing media is a corrugated media specially designed to separate a high concentration of settleable and suspended solids in oily water.

FLOW

Oily water and solids will enter the coalescing chamber in a horizontal cross flow pattern. The water will flow through the corrugation troughs of the plates, where the oil and solids will naturally separate from the water and from each other. The solids will fall to the trough on the topside of the plate below and the oil will rise to the trough on the underside of the plate above.

The solids will continue to move downwards to the solids collection chamber, or hopper, where they can be pumped out or manually removed. The oil will continue to coalesce and flow upwards where a skimmer is used to decant the oil or transfer to an integral product tank. The design also prevents the oil and the solids from remixing after they are separated.

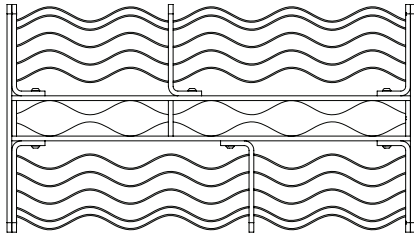
MEDIA PLATE PACKS

Packs are installed in a horizontal position. Each pack is 1' wide x 2' high and come in either 2- or 4-foot lengths. The corrugated plate material is available in PVC, Polycarbonate, FRP, or stainless steel. Each plate is installed in an aluminum frame at a 55° angle. Plates can be spaced at $\frac{1}{2}$ ", $\frac{3}{4}$ ", 1" or $1\frac{1}{2}$ " intervals.

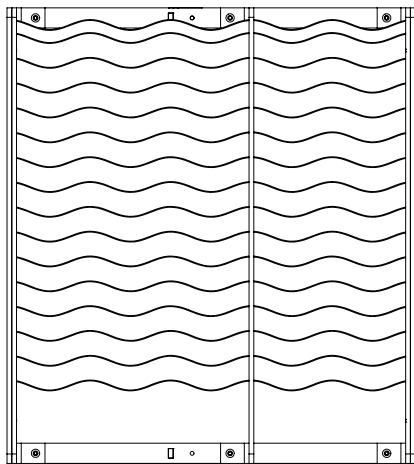
DIMENSIONAL INFORMATION

SPACING	PROJECTED PLATE AREA PER FT ³	TOTAL SURFACE AREA PER FT ³
1/2"	11.3 ft ²	39.2 ft ²
3/4"	7.3 ft ²	25.6 ft ²
1"	5.6 ft ²	19.6 ft ²
1 1/2"	3.7 ft ²	12.8 ft ²

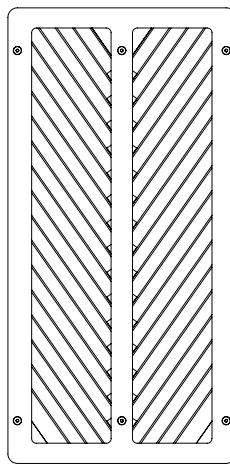
Calculations based on 1'Wx2'Lx2'H pack.



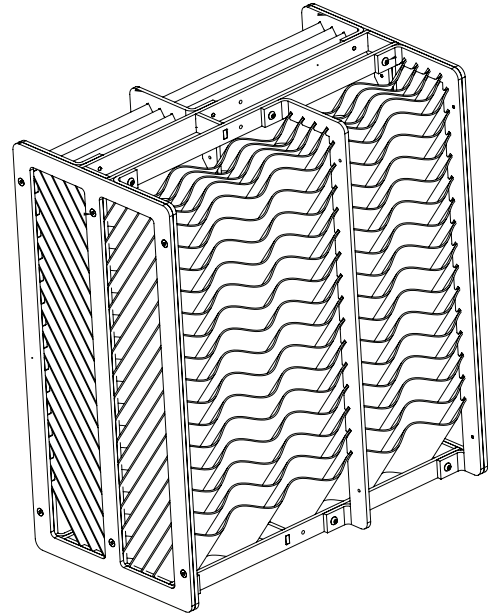
TOP VIEW



LENGTH VIEW



END VIEW



Whether an off-the-shelf unit or customized equipment, we'll help you determine the best solution for your application and site-specific needs.

TEL: 508-399-5771

FAX: 508-399-5352

108 Pond St, Seekonk, MA 02703

hqisales@hydroquipinc.com

www.hydroquipinc.com